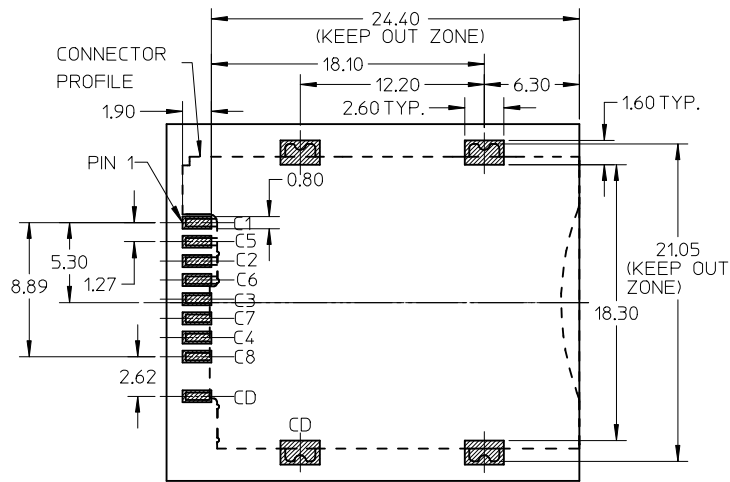
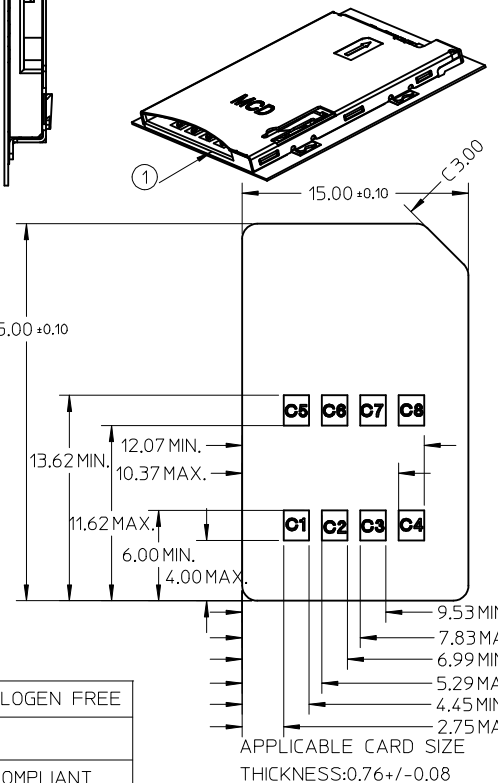
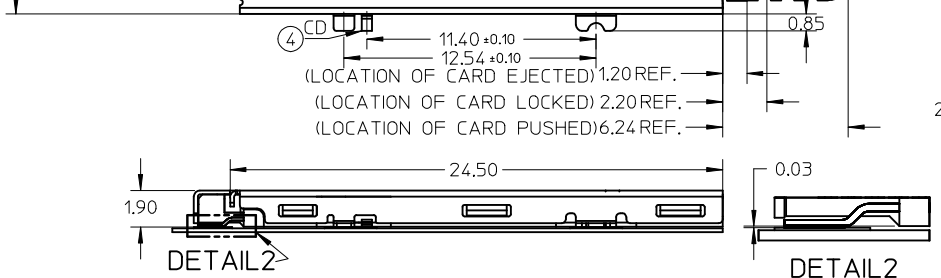


- NOTES:
- FINISH:
    - 1-1 TERMINAL :
      - 50~200 $\mu$  NICKEL UNDER PLATED
      - 30 $\mu$  MIN GOLD PLATING ON CONTACT AREA
      - 3 $\mu$  MIN GOLD FLASH ON SOLDERING AREA
    - 1-2 SHELL :
      - 50~200 $\mu$  NICKEL UNDER PLATED
      - 3 $\mu$  MIN GOLD FLASH ON SOLDERING AREA
    - 1-3 DETECT PIN :
      - 50~200 $\mu$  NICKEL UNDER PLATED
      - 10 $\mu$  MIN GOLD PLATING ON CONTACT AREA
      - 3 $\mu$  MIN GOLD FLASH ON SOLDERING AREA
  - SOLDER TAIL COPLANARITY: 0.1MM MAX.
  - THIS PART IS LEAD-FREE.
  - DETECT SWITCH: INSERT CARD-OFF (NORMAL-ON)
  - MAXIMAL TOTAL HEIGHT WHEN INSERTING SIM CARD NEED AVOID IN THIS AREA
  - PRODUCT COMPLIANT TO ROHS DIRECTIVE 2002/95/EC AND ELV DIRECTIVE 2000/53/EC



|              |              |
|--------------|--------------|
| MATERIAL No. | HALOGEN FREE |
| 476030001    |              |
| 476031001    | COMPLIANT    |

ADD KEEP OUT ZONE  
 EC NO: S2013-0786  
 DRW: FCS00  
 CHKD: JIAN02  
 APPR: KHL IM  
 2013/05/08  
 2013/05/16  
 2013/05/22

|  |                               |
|--|-------------------------------|
| QUALITY SYMBOLS                                      | $\nabla = 0$                  |
|  | $\nabla = 0$                  |
| GENERAL TOLERANCES (UNLESS SPECIFIED)                | mm                            |
|  | INCH                          |
| DRAFT WHERE APPLICABLE MUST REMAIN WITHIN DIMENSIONS | 4 PLACES $\pm$ --- $\pm$ ---  |
|  | 3 PLACES $\pm$ --- $\pm$ ---  |
|  | 2 PLACES $\pm 0.15$ $\pm$ --- |
|  | 1 PLACE $\pm$ --- $\pm$ ---   |
|  | 0 PLACE $\pm$                 |
| ANGULAR $\pm 1/2^\circ$                              |                               |

|                 |            |
|-----------------|------------|
| DIMENSION STYLE |            |
| MM ONLY         |            |
| DRAWN BY        | DATE       |
| LHSHEN          | 2007/04/30 |
| CHECKED BY      | DATE       |
| XU XIANG        | 2007/05/22 |
| APPROVED BY     | DATE       |
| JENNY CHEN      | 2007/05/25 |
| MATERIAL NO.    |            |
| SEE TABLE       |            |

| NO. | DESCRIPTION   | Q'TY | MATERIAL     |
|-----|---------------|------|--------------|
| 1   | HOUSING       | 1    | LCP          |
| 2   | TERMINAL      | 8    | COPPER ALLOY |
| 3   | DETECT PIN #1 | 1    | COPPER ALLOY |
| 4   | DETECT PIN #2 | 1    | COPPER ALLOY |
| 5   | SHELL         | 1    | SUS          |
| 6   | COIL SPRING   | 1    | SWP          |
| 7   | HEART CAM     | 1    | NYLON        |
| 8   | CAM PIN       | 1    | SUS          |

SCALE: NTS  
 DESIGN UNITS: METRIC  
 THIRD ANGLE PROJECTION  
 TITLE: PUSH-PUSH 8 PIN SIM WITH DETECT PIN SALES DRAWING  
**molex**  
 DOCUMENT NO.: SD-47603-001  
 SHEET NO.: 1 OF 1